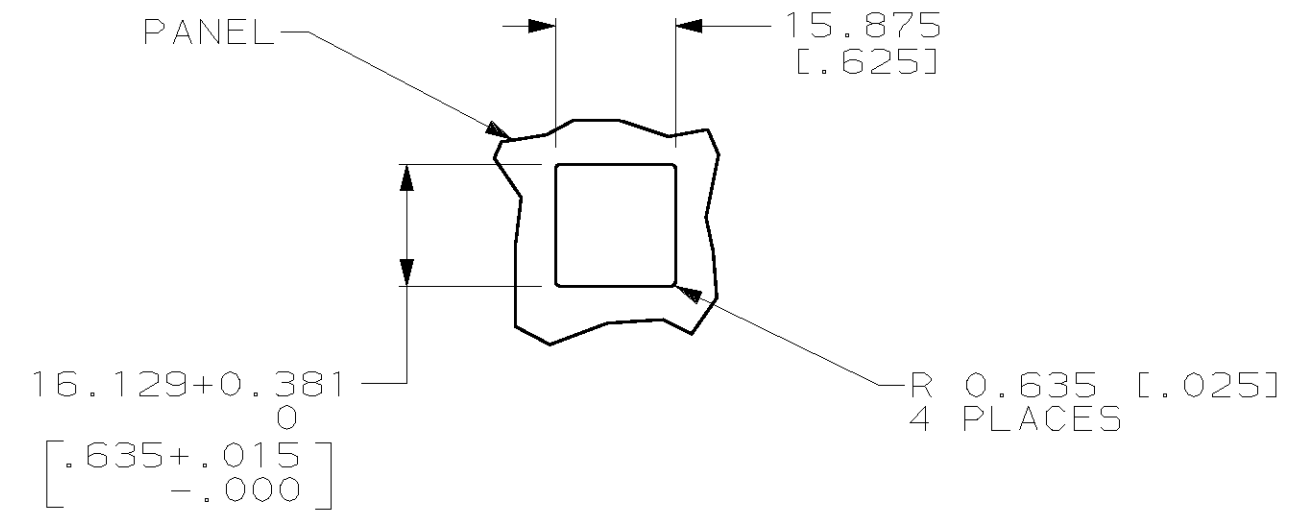
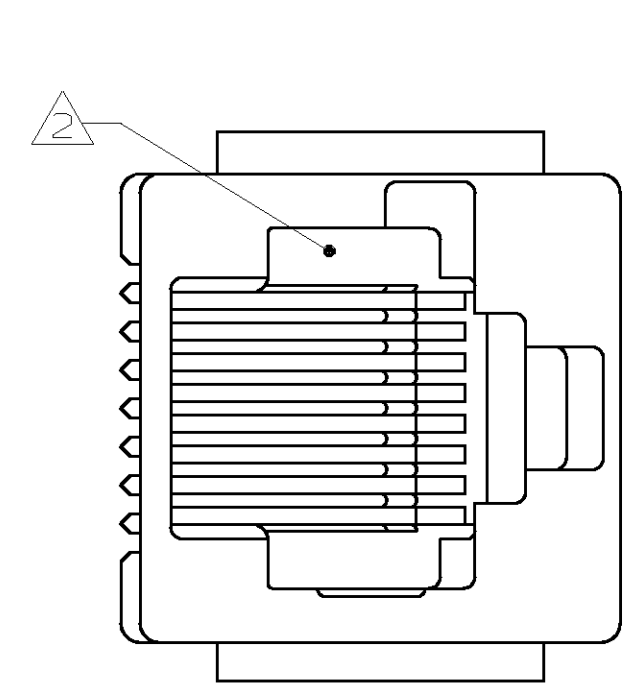


THIS DRAWING IS UNPUBLISHED. RELEASED FOR PUBLICATION
 (C) COPYRIGHT 19 BY AMP INCORPORATED. ALL RIGHTS RESERVED.

LOC	DIST	REVISIONS			
P	LTR	DESCRIPTION	DATE	DWN	APVD
AA	22	5	REVISED; EC 0UFO-0129-01	24SEP01	DLD LLV

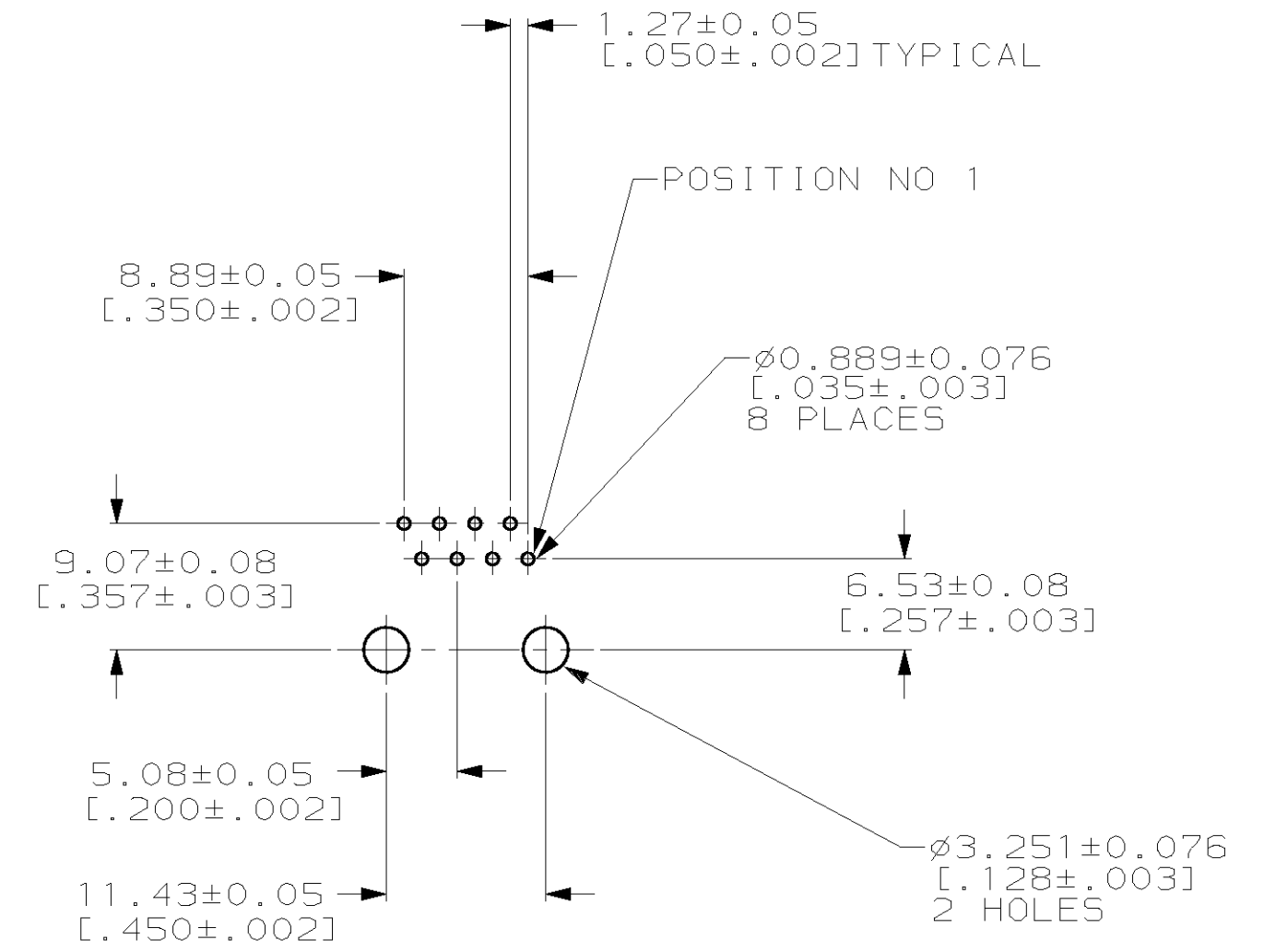
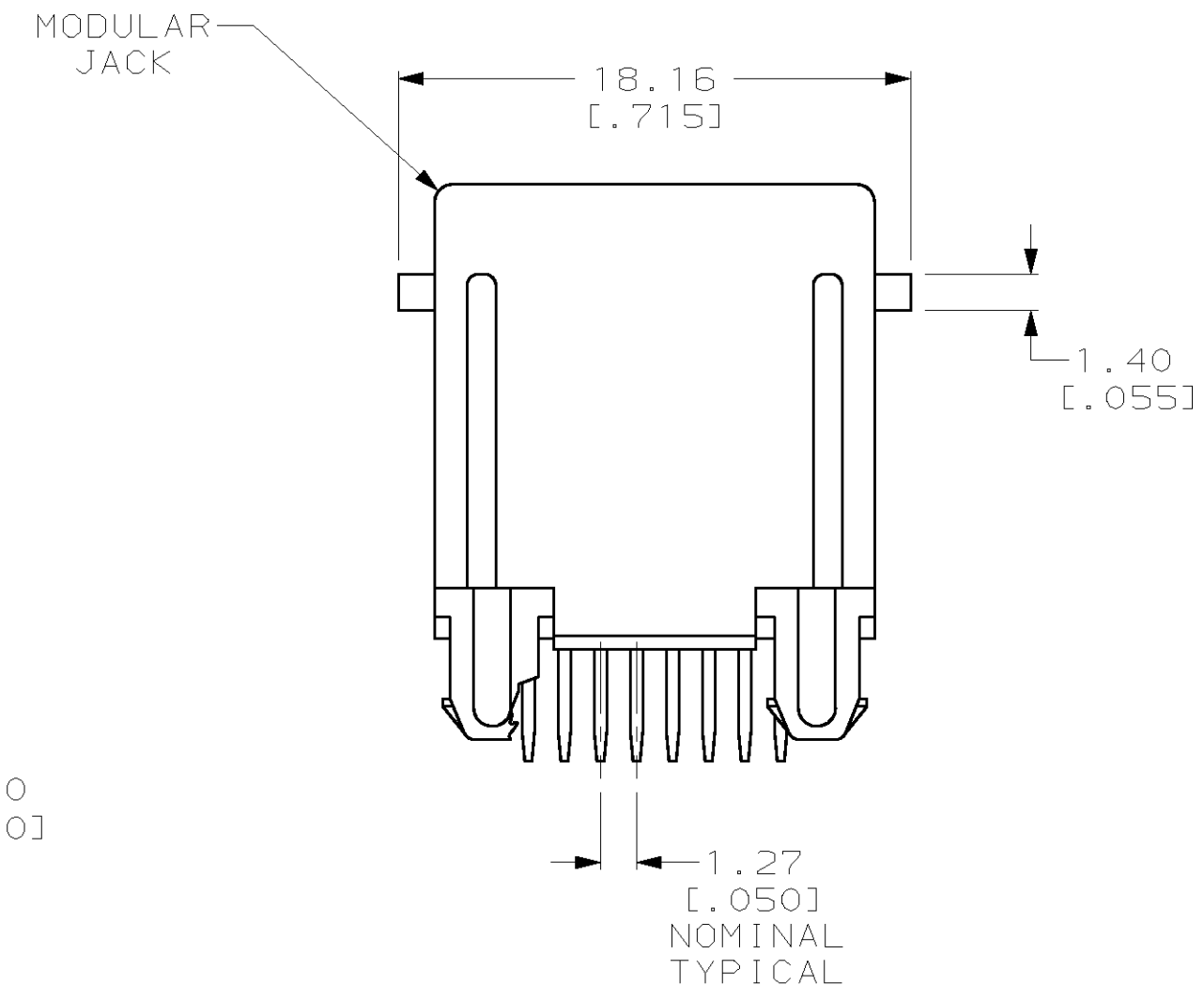
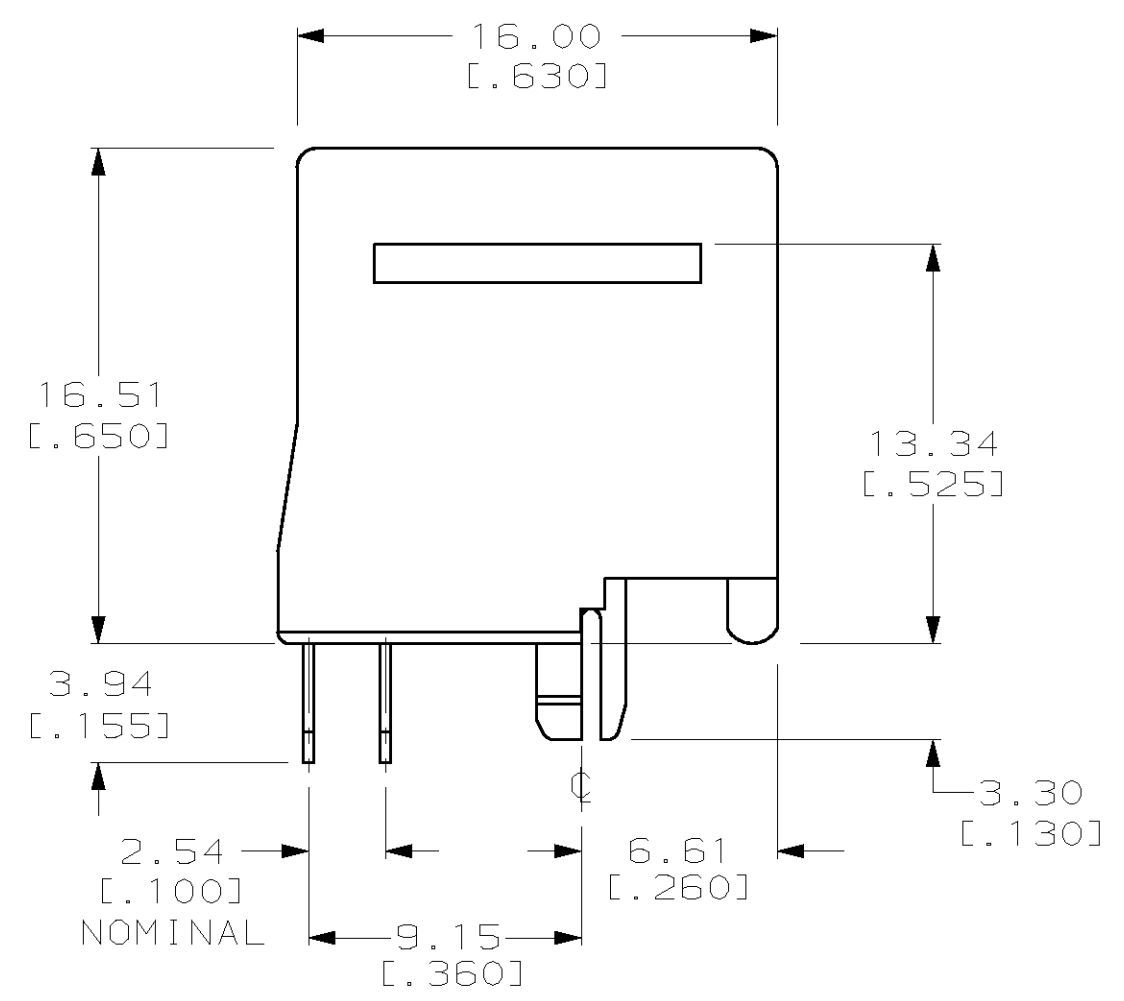


PANEL CUTOUT
SCALE 1:1

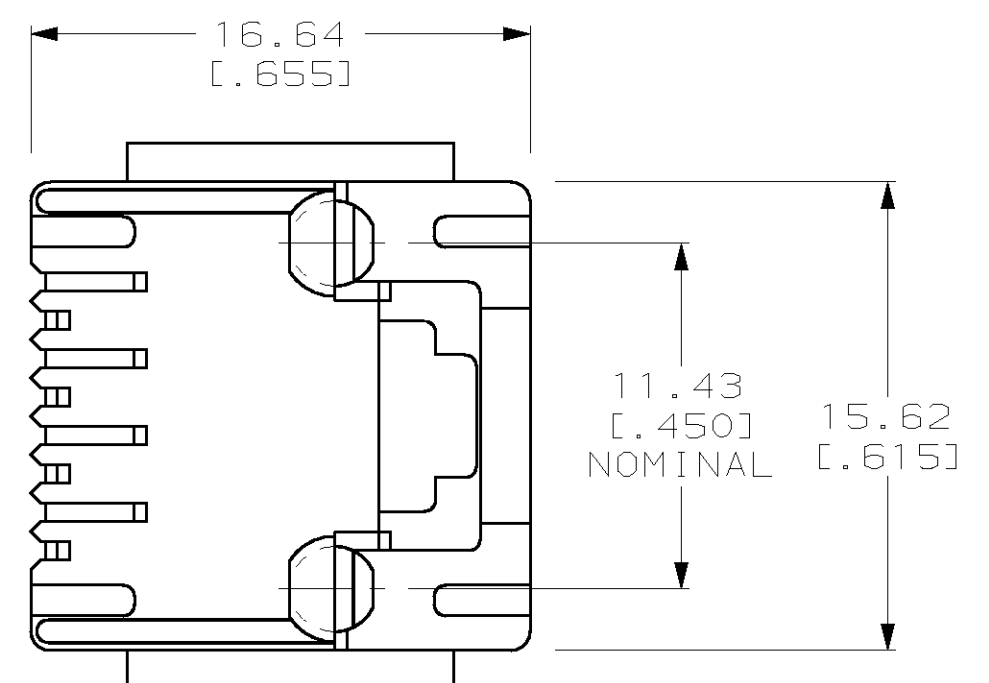
1 MATERIAL: HOUSING - PBT POLYESTER, BLACK. TERMINAL - 0.35 [.0138] THICK PHOS BRONZE PLATED WITH 1.27µm [.000050] THICK HARD GOLD IN LOCALIZED GOLD PLATE AREA AND 2.03µm [.000080] THICK TIN-LEAD IN SOLDER AREA OVER 1.27µm [.000050] THICK NICKEL UNDERPLATE.

2 CAVITY CONFORMS TO FCC RULES AND REGULATIONS PART 68 AND REA BULLETIN 345-81, PE-76 SPECIFICATION FOR MODULAR TELEPHONE HARDWARE.

3. ALL DIMENSIONS SHOWN ARE MAXIMUM UNLESS OTHERWISE SPECIFIED.



PRINTED CIRCUIT BOARD LAYOUT
NON-COMPONENT SIDE SHOWN
SCALE 2:1



THIS DRAWING IS A CONTROLLED DOCUMENT.		DWN	L. MUSTAR/UTA	12JUN95
DIMENSIONS: mm [INCHES]		CHK	N. JONES	15JUN95
TOLERANCES UNLESS OTHERWISE SPECIFIED:		APVD	E. LAURER	22JUN95
0 PLC	±	PRODUCT SPEC	108-1163	
1 PLC	±	APPLICATION SPEC	114-2048	
2 PLC	±	WEIGHT	-	
3 PLC	±	CUSTOMER DRAWING	SCALE 4:1 SHEET 1 OF 1 REV 5	
4 PLC	±	MATERIAL		
ANGLES	±	FINISH		

8 CONTACTS	520260-4 PART NUMBER		
AMP Incorporated Harrisburg, PA 17105-3608			
PRINTED CIRCUIT BOARD MODULAR JACK ASSEMBLY, TOP ENTRY, 8 POSITION, KEYED, FLANGELESS, WITH PANEL STOPS			
SIZE	CAGE CODE	DRAWING NO	RESTRICTED TO
A2	00779	C-520260	-

520260